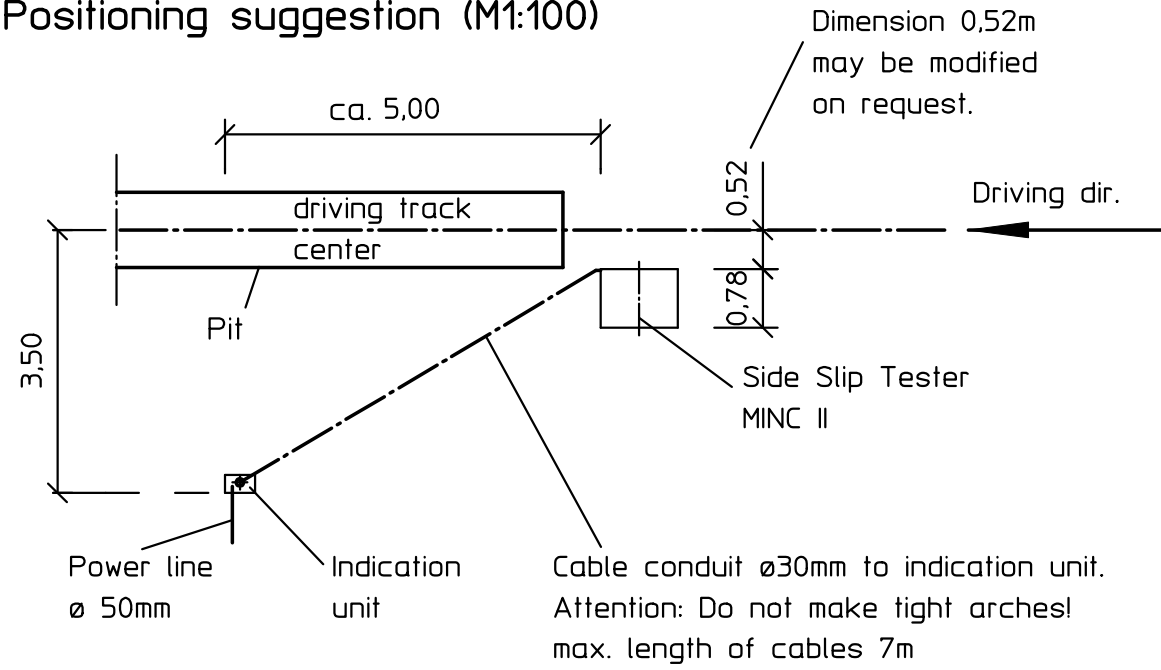


Positioning suggestion (M1:100)



Technical data sheet No. 221.4

Side Slip Tester
MINC II
truck (HG)

Power supply:
Power 220V +N +PE, 10A slow, 3x1.5sqmm to be laid to indication unit with approx. 2m overhang!

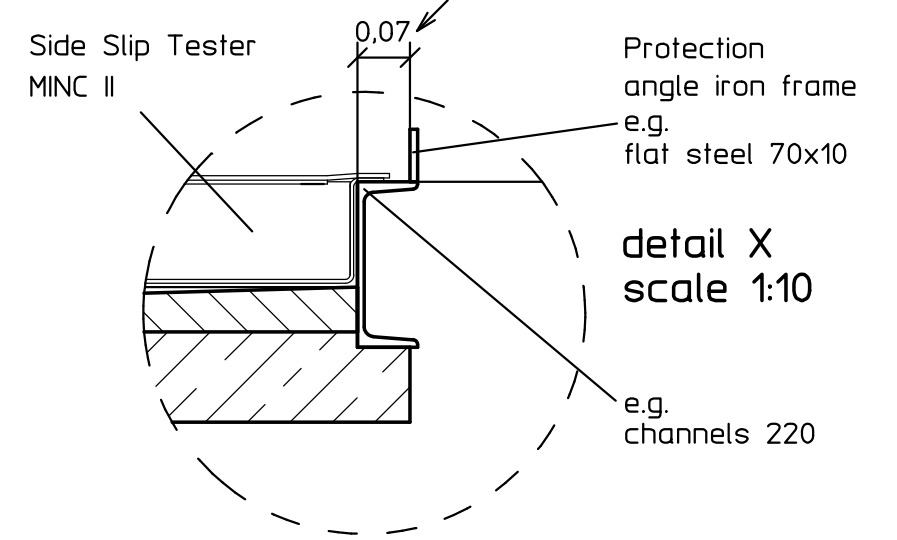
The buyer is responsible for checking all dimensions!

All dimens. in m

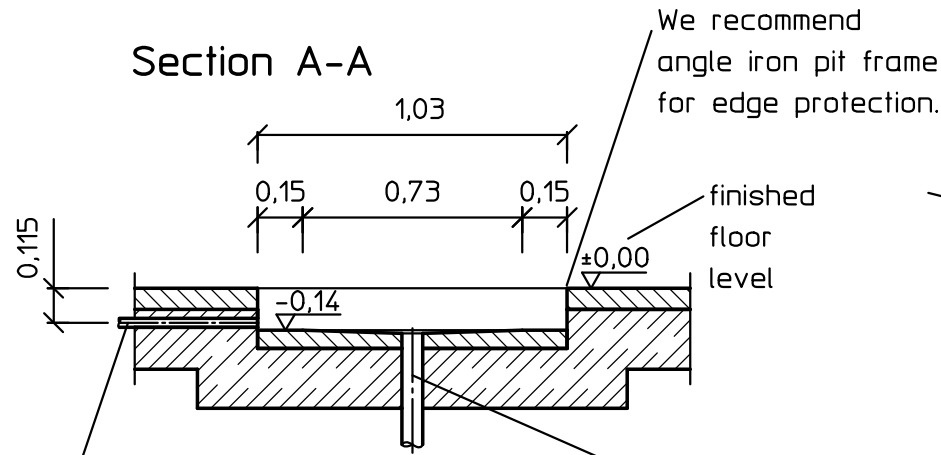
Quality of concrete min. C20/25 (ENV 206)

Attention:

Side Slip Tester is installed hanging downward, so its width exceeds the aperture - pay attent. with safety guide rails or similar equipment! distance to pit protection min. 70mm



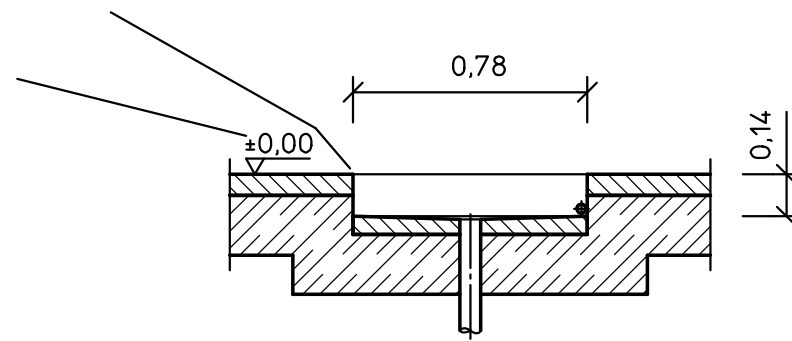
Section A-A



Cable conduit \varnothing 30mm to indication unit. Attention: Do not make tight arches! max. length of cables 7m

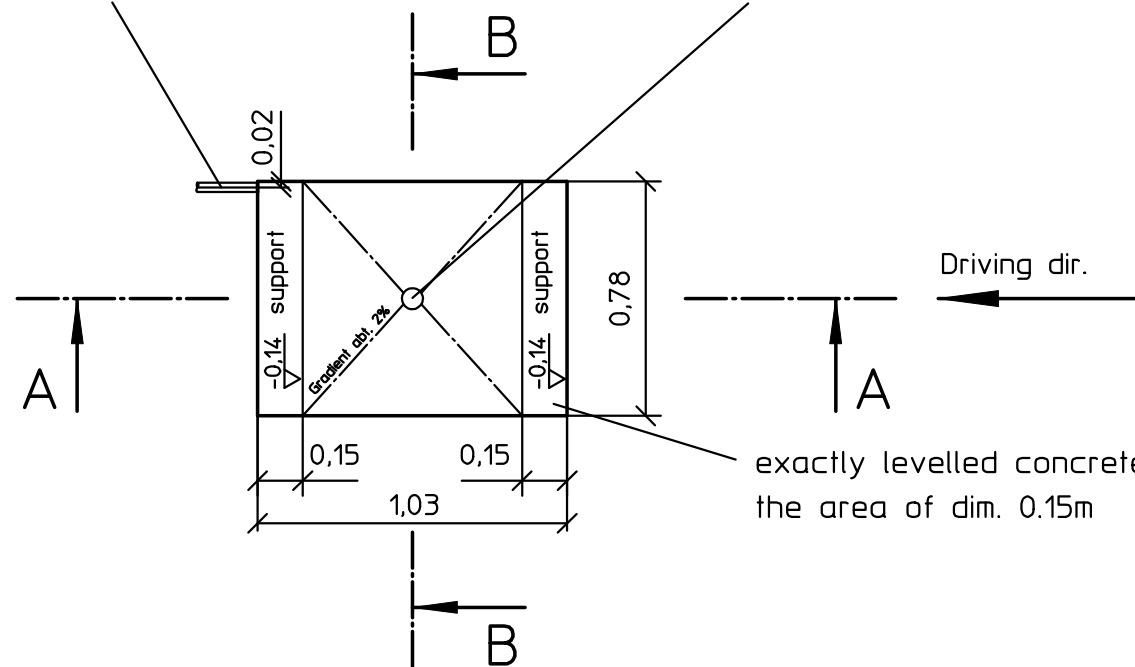
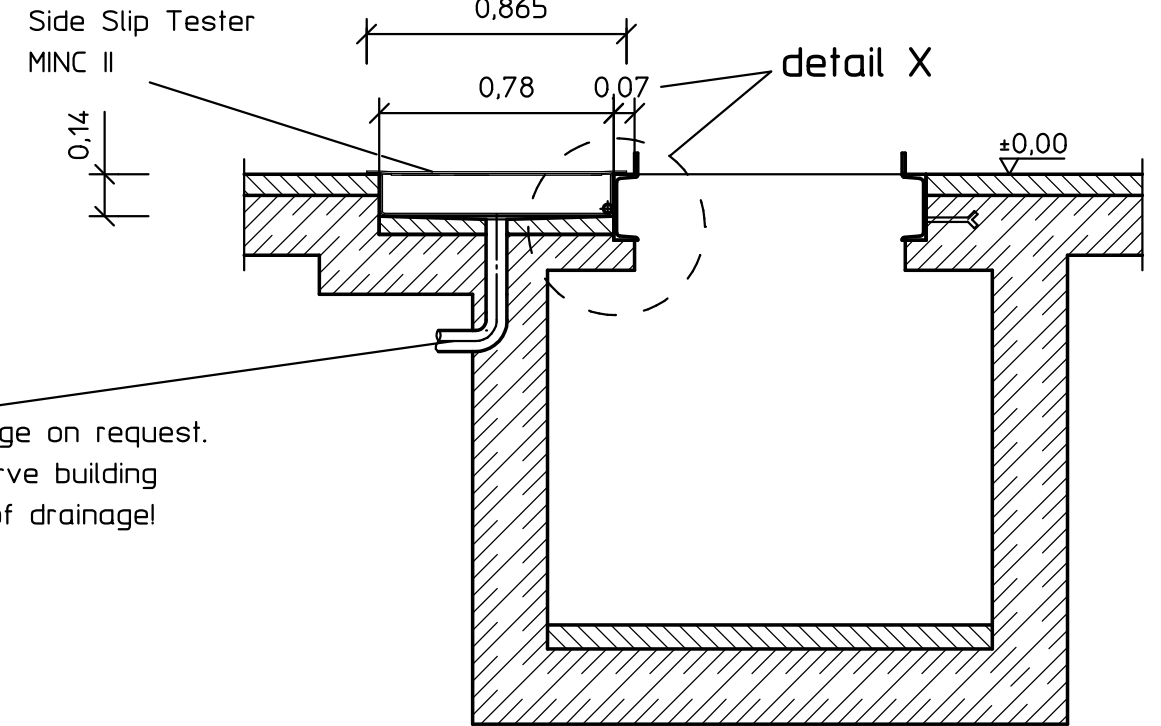
Water drainage on request. Please observe building regulations of drainage!

Section B-B without working pit



Water drainage on request. Please observe building regulations of drainage!

Section B-B with working pit



0,20to Net weight
+7,50to max. axle load
= 7,70to max. load
foundation plate

Schutzvermerk nach DIN 34 beachten!		Maße ohne Toleranzangabe nach DIN 7168 "mittel"		Maßstab 1:25	Gewicht
				Werkstoff, Halbzeug, Rohteil-Nr. usw.	
		Datum		Name	
		Bearb. 10.03.1998		Ggm.	
		Gepr. 15.01.2003		Grf.	
		Norm			
				Benennung	
				Fundamentplan Radlauftester MINC II	
				Zeichnungsnummer	
				11001.00.01.001	
				Blatt	
				1	
				Bl	
Originalgröße der Zeichnung: A3		Zust.	Änderung	Datum	Na
		Ursprung		Ers. f.	Ers. d.