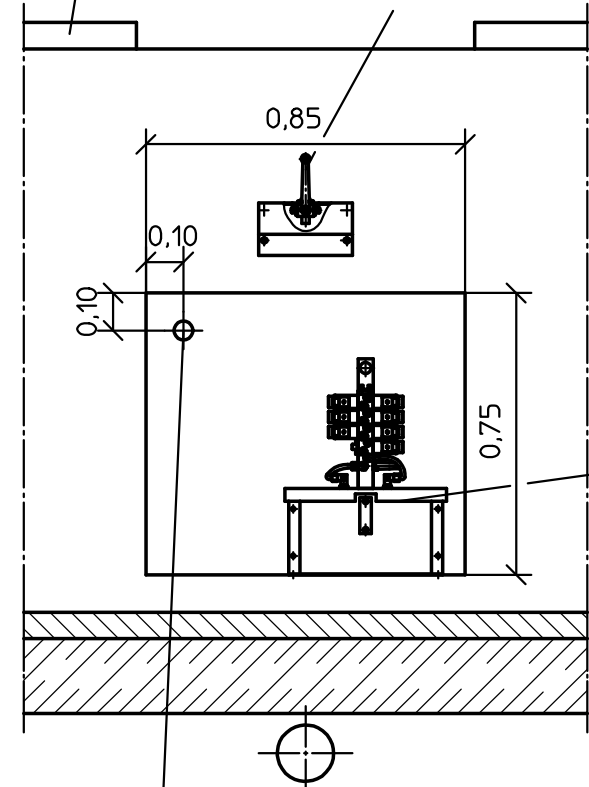


### Section A-A

Protection angle iron frame

Switch-over lever for change of direction (only for LMS 101)

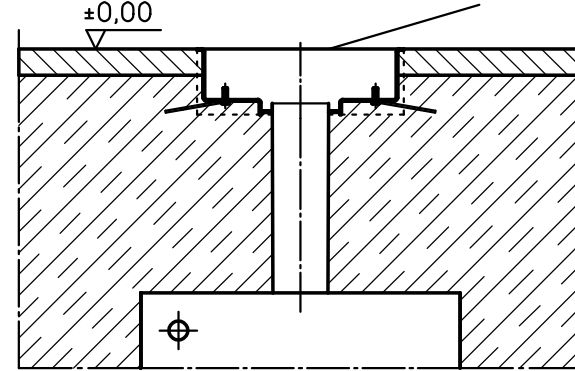


Hydraulic unit

Finished floor must be horizontal in the area of axle play tester.

### Section B-B

finished floor level ±0,00

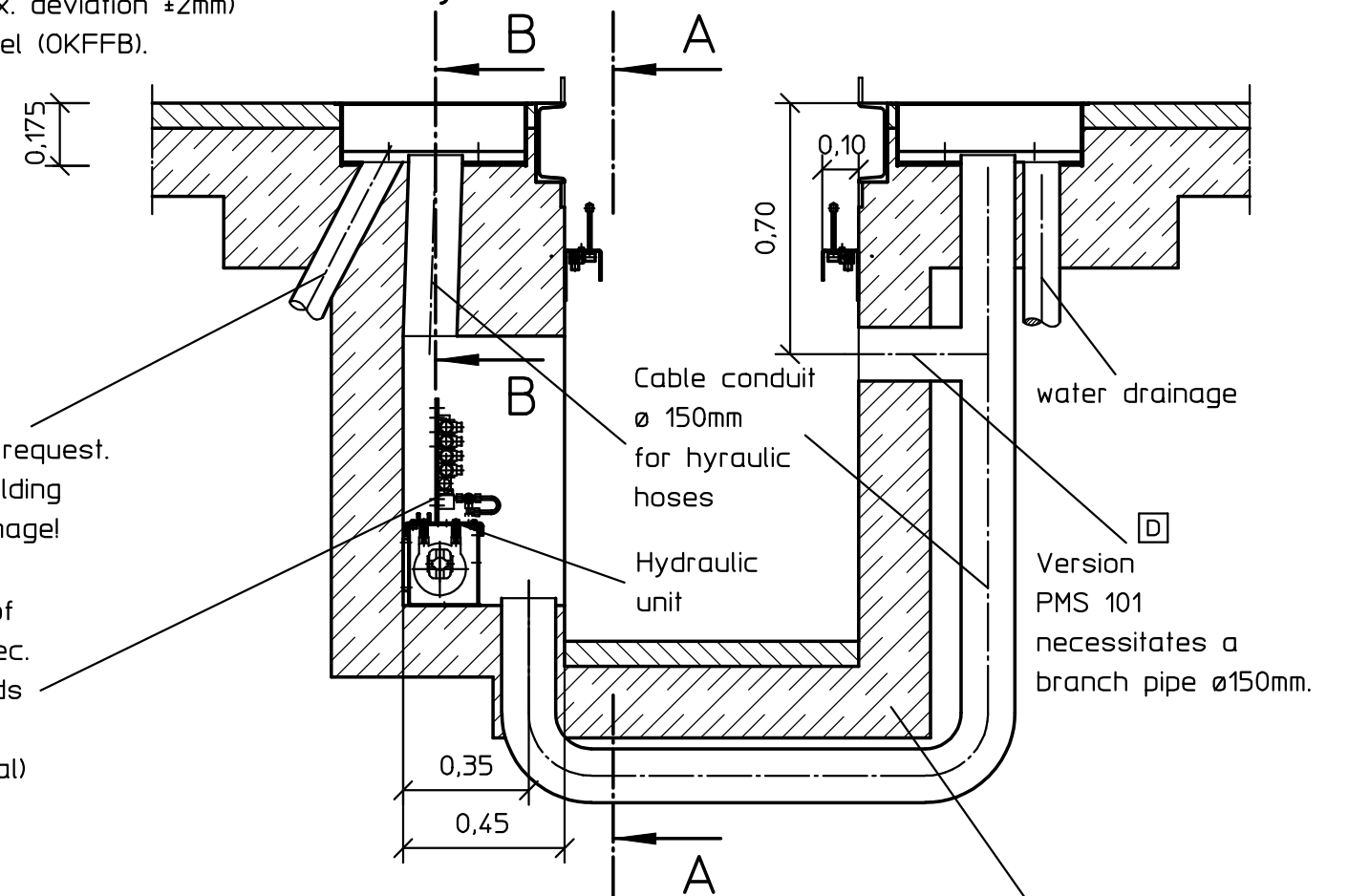


Water drainage on request. Please observe building regulations of drainage!

Standard position of control unit and elec. cabinet (corresponds to standard preassembly material)

### Technical data sheet No. 260.4

### Play detector PMS 3/2, PMS 101 and PMS 3/X-PIT



Power supply: 5x2,5smm; 3x400V +N +PE; 16A slow; lay to hydraulic unit with 1m overhang.

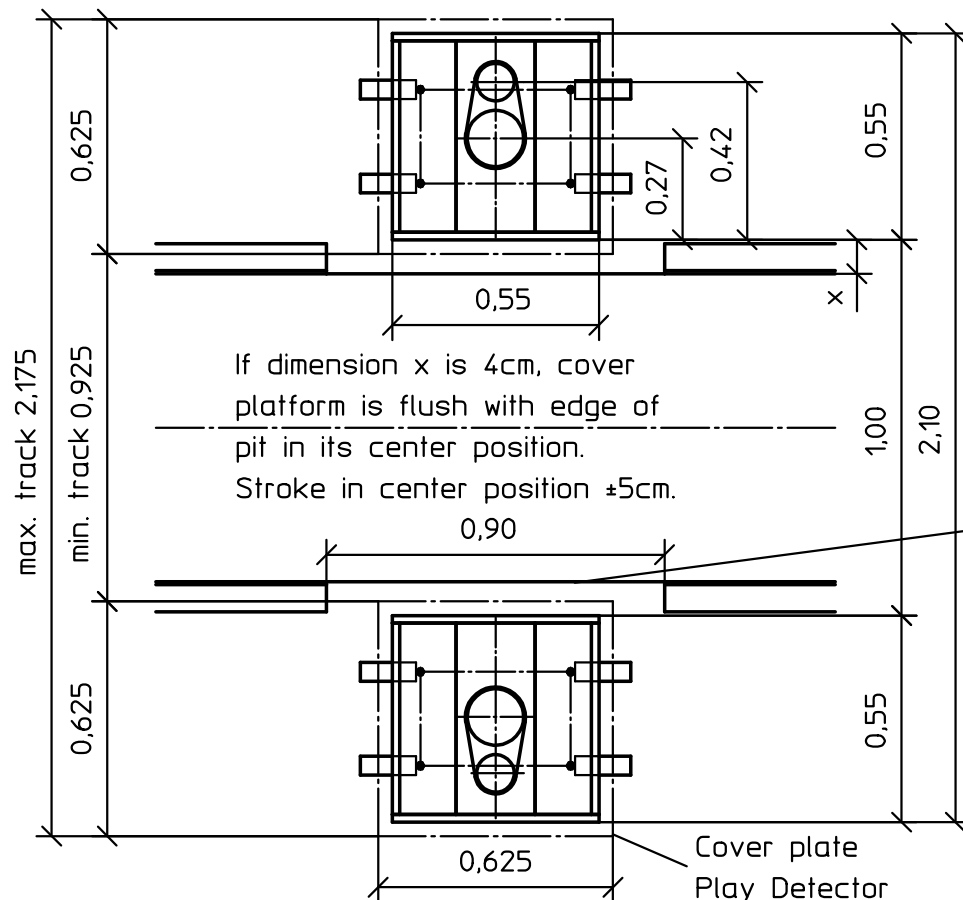
Positioning possibilities of hydraulic unit:

- Qwn recess (recommended size LxHxD = 850x750x450mm)
- Directly in the pit (possible if pit is wide enough at bottom to allow someone)
- Hydraulic hoses may be laid in empty pipe ø 150mm or in retracted cable tunnel (150x100mm) with cover plate.
- Hydraulic line to be laid exposed on face side of pit below the stairs (distance of up to 6m is recommended).

The buyer is responsible for checking all dimensions!

dim. of found. in m

Quality of concrete min. C20/25 (ENV 206)



Driving dir.

The protection angle iron frame (if available) must be cut out in the 0,90 area. (Danger of injury/crushing)

The width can be changed to suit customer's requirements! Values for track (min. and max.) must correspond to the vehicles to be checked!

Play Detector PMS 3/2				Play Detector PMS 101			
		Dimensions of electro-cabinet wxhxd = 250x375x155mm				Dimensions of electro-cabinet wxhxd = 160x240x120mm	
Schutzvermerk nach DIN 34 beachten!		Maße ohne Toleranzangabe nach DIN 7168 "mittel"		Maßstab 1:20		Gewicht	
				Werkstoff, Halbzeug, Rohteil-Nr. usw.			
		Datum		Benennung			
		Name		Fundamentplan PMS 3/2 u. 101			
		Bearb. 13.09.1996 Ggm.					
		Gepr. 24.04.2002 Grf.					
		Norm		Zeichnungsnummer			
				01001.00.01.001			
				Blatt			
				1			
				Bl			
D 4330		24.04.20		Grf.		Ers. f.	
Zust. Änderung		Datum		Na		Ers. d.	
Originalgröße der Zeichnung: A3				Ursprung			

