

MA STAR triple safety *****

Type: MA STAR 3.5 A

Attention:
The quality of the foundation raft has to be checked by the client prior to installation!

All dimensions in m
All dimensions have to be checked on site
In case of ductwork, use max. 45° bends

Supply line in-ground

Install ductwork for cables Ø50mm.
Insert the cable with an overlap of approx. 4m.
Place the cable at the right column!

Supply line via ceiling

Place the cable at the right column.
Connection by CEE-plug device 16A 5p 6h.
Must be prepared and certified beforehand!

Attention:
All highlighted dimensions refer to the recommended drive through clearance of 2,40m! (see technical datasheet)

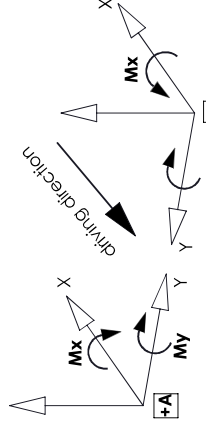
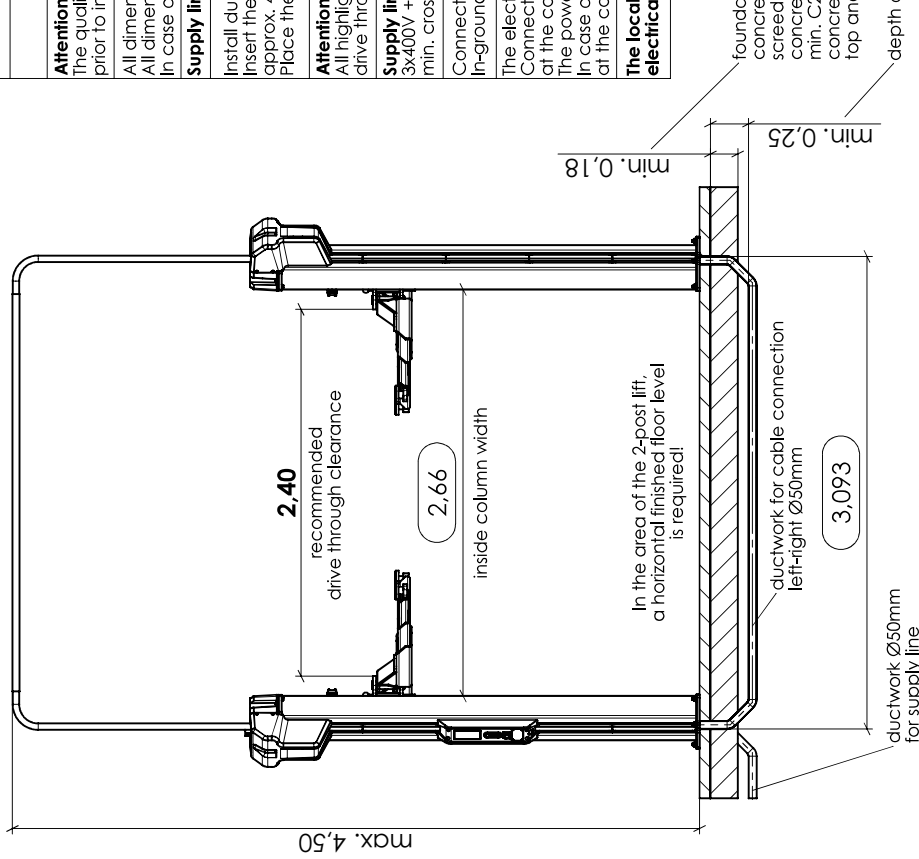
Supply line:
3x400V +N +PE; C16A + RCD (30mA); rated power 2x3,0kW
min. cross-sectional area of supply line 5x2,5 mm²

Connection of columns left-right via cable bridge
In-ground wiring optionally available (VZ 990490)

The electrical connection of the Energy-Kit must be prepared on site.
Connection by Schuko plug device (1x230V, 1,6A + RCD(30mA))
at the corresponding column.

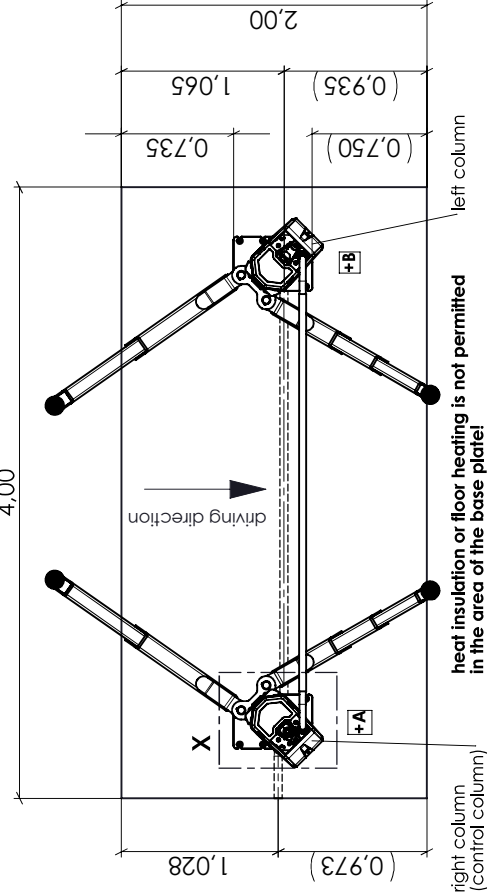
The power line and plug device must be prepared and certified beforehand!
In case of compressed air supply, a pneumatic hose Ø8mm has to be placed at the corresponding column.

The locally applicable regulations and standards must be fulfilled for all electrical installations!

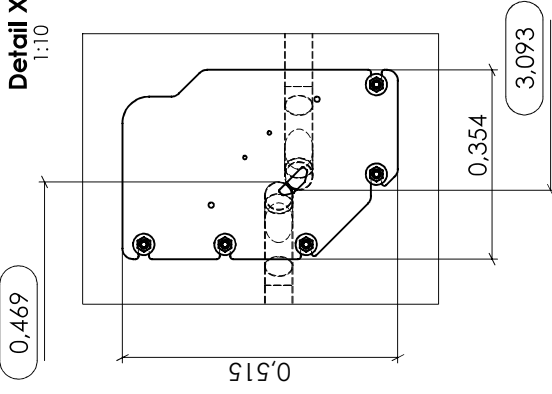


Type	dead weight (N)	max. load (N)	rated capacity (N)	max. torque (Nm) per column
MA STAR 3.5 A	6.500	35.000	20.030	16.740

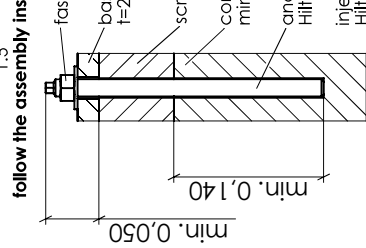
calculation of load according to EN 1493:2010 without consideration of safety factors



Detail X 1:10



Anchorage 1:5



Attention:
The installation material VM 999080 is only certificated for max. 100mm height of floor construction (screed/filles).
The standard installation material can not be used for higher floor constructions!
(Please inform us before installation)

Size ISO 14405 (E)

Note copyright as per DIN ISO 16016

General Tolerances

Surface

Minimum yield strength Re in N/mm²

Basic-Material

Basic-Materialnumber

Document Type

Document Number

Weight in kg

Scale

1:35

max. torque (Nm) per column

max. load (N)

dead weight (N)

rated capacity (N)

max. torque (Nm) per column

Mx My

Mx My

16.740

20.030

35.000

6.500

MA STAR 3.5 A

calculation of load according to EN 1493:2010 without consideration of safety factors

Designation

foundation plan MA STAR 3,5t

Material Number

1402125

Revision

00

Document Number

10010968

Change Number

100031

Office

300

Date, Issue

2019-12-17 MKRAUS

Date, Check

old Article-Number

Version

Sheet 3 of 4

A3