

Performance tester
for car 4WD
LPS 3000 R 100
with additional eddy current brake
at rear roller set
Adjusting range 2,36-3,36m

Power supply:
Power 3x400V +N +PE, 35A delay gG
to be laid to indication unit
with approx. 2,00m overhang!
Compressed Air hose DN 8, 8bar
to be laid to foundation - approx. 3,00m
overhang is necessary. Maintenance
unit to be provided by the builder!

3,80to	Net weight
+ 2x 2,50to	max. axle load
= 8,80to	max. load
	Foundation plate

Inner size of pit
LxWxD 4,56x3,36/4,12x0,60/0,41m
Attention: The inner width must not be
less than indicated in the installation
plans. Rectangularity of foundation
must be absolutely maintained.

IPB profiles by customer
4 pcs. IPB 100 1000lg.
2 pcs. IPB 100 3260lg.
2 pcs. IPB 100 500lg.
2 pcs. IPB 100 4060lg.

Attention: The IPB profiles must form
an exactly levelled surface,
max. tolerance 3mm.

Please provide for a good
connection between IPB profiles
and reinforced concrete foundation.

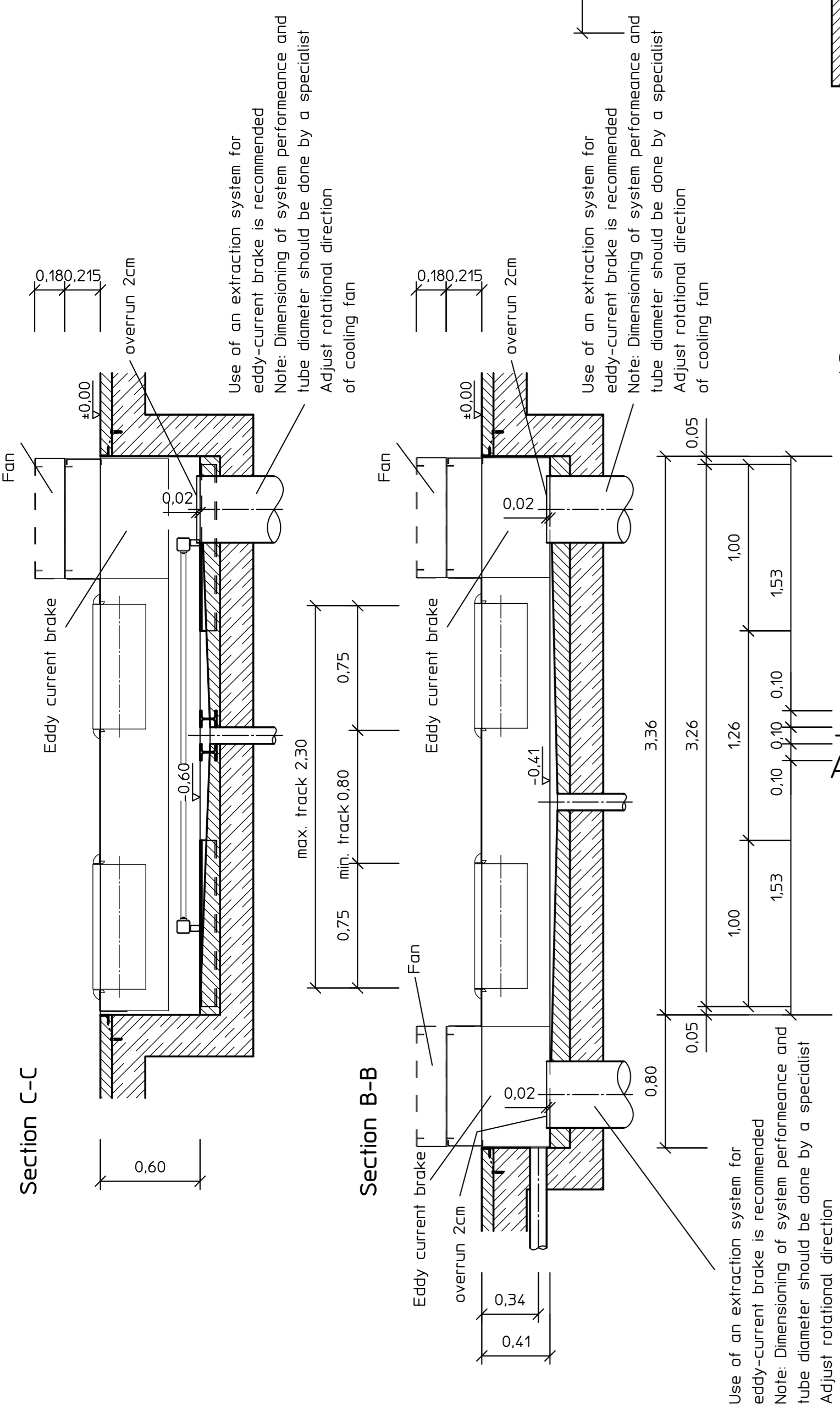
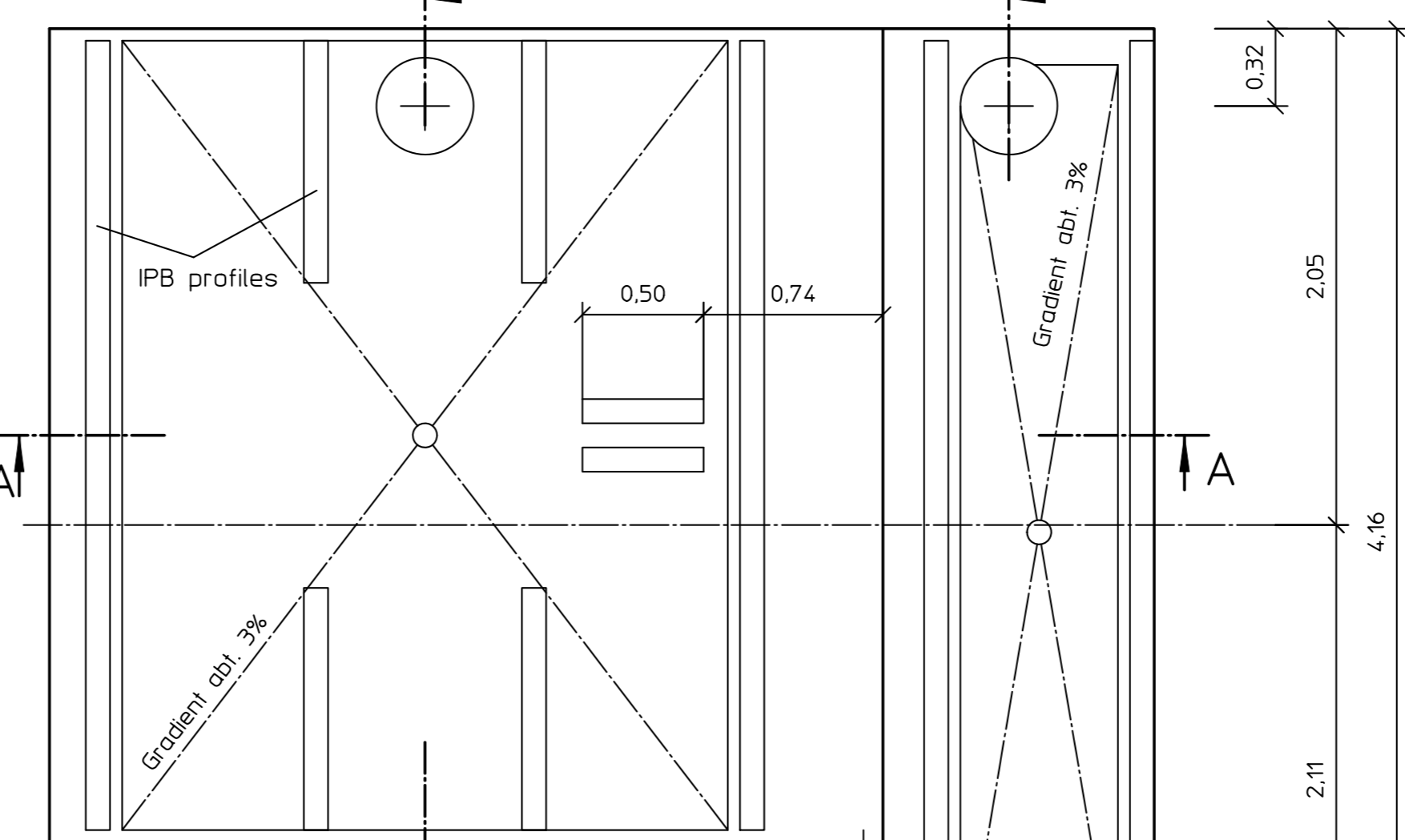
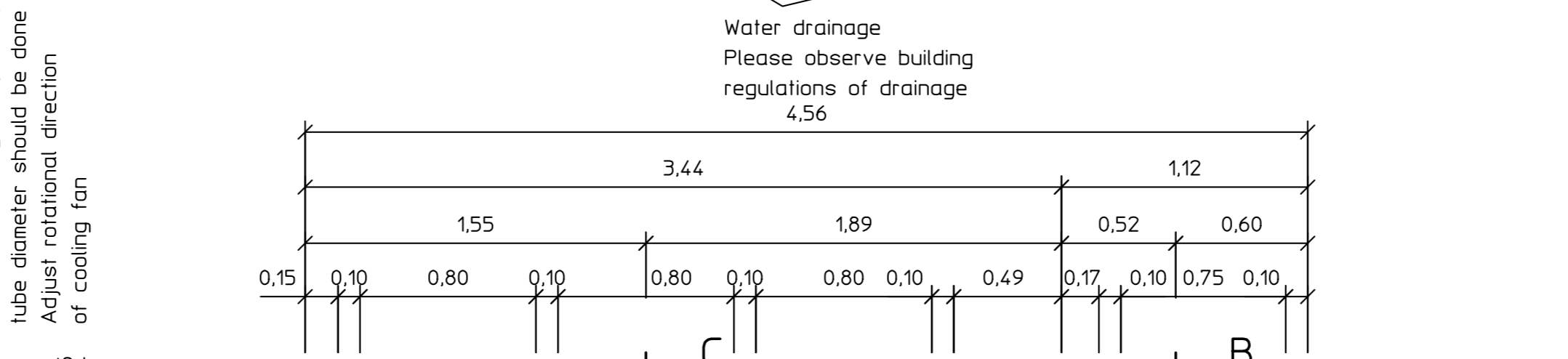
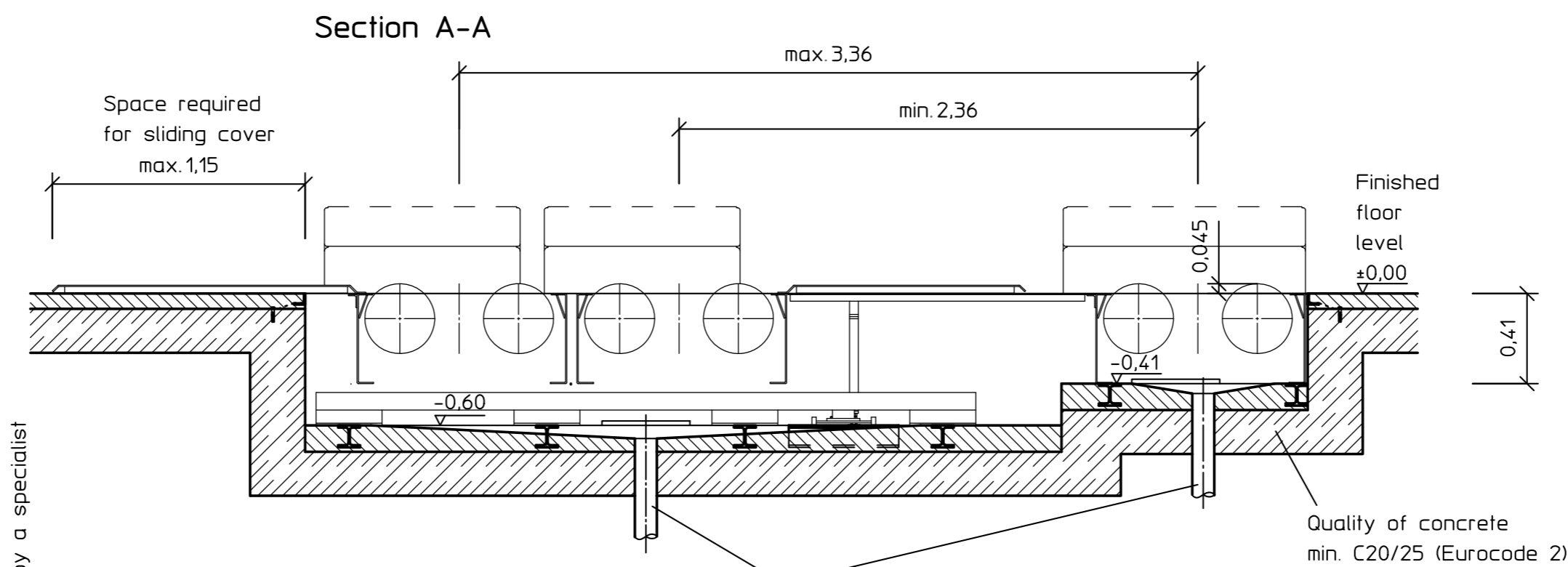
We recommend
angle iron pit frame
for edge protection.

All dims. in m

The buyer is responsible
for checking all dimensions

Please do not use cable conduit
elbows beyond 45°.

Regarding the necessary space for performance
tester and the position of the vehicle restraint plates
for LPS tester please see positioning suggestion P0127
In countries with left-hand traffic, it is recommended
to order the Test Stand in a version where the Eddy-
Current-Brake is located on the left side of the
Test Stand. The foundation should be planned accordingly.
The foundation construction plans are available upon request.



Cable conduit ø100mm
to indication unit.
Attention:
Do not make tight arches!
max. length of cables 9m
Connection in
driving direction alternatively
on the left or right
please specify with order

Cable conduit
ø 50mm
for compressed air supply
Connection in driving direction
alternatively on the left or right

Note protection mark as per DIN ISO 16016		Language	English	State	4
Scale	1:25	Date	24.04.17	Name	thschwar
Modifications		Drawn	thschwar	Description	
A	07033	24.04.17	thschwar	LPS 3000 R100/1+2 (4WD)	
Ind. No.		Date		Verstellbereich 2.36-3.36m	
Item No.	F0527			Drawing No.	F0527
Original size of drawing: A2		Created from:	Origin:	S.sedes:	S.sedes by:

